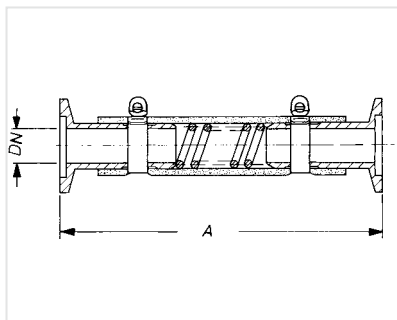
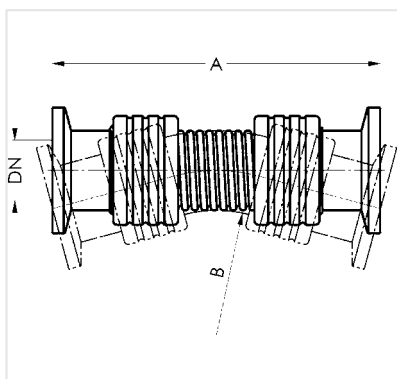


SMALL-FLANGE COMPONENTS / POWER CABLES



PVC vacuum tubings with internal spiral with small flanges KF

Size	A	Order-no.
small flanges made of aluminum, with internal stainless steel spiral		
KF DN 16	500	686010
KF DN 16	1000	686020
KF DN 25	500	686011
KF DN 25	1000	686021
KF DN 40	500	686012
KF DN 40	1000	686022



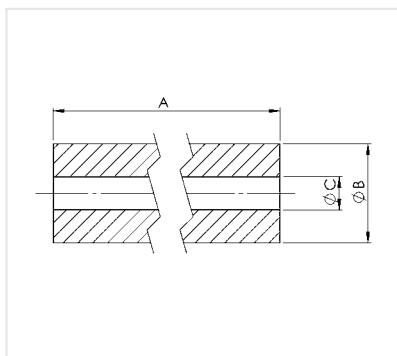
PTFE VACUUM TUBINGS with small flanges KF

made of antistatic PTFE, flanges made of stainless steel (1.4305)

Special features:

- hose ribbed only on the outside, almost smooth walls on the inside. Therefore no accumulation of liquids or particles like in corrugated hoses and high gas conductivity due to reduced turbulence.
- PTFE material with excellent chemical resistance
- PTFE material is antistatic according to BS 5958:1991 / EN ISO 8031, 10^7 Ohm resistivity between hose and flanges to prevent electrostatic charging on the inside or outside. However, the tubing must not be used for grounding of equipment.

Size	A	B: minimum bend radius for		Order-no..
		single bending	repeated bending	
KF DN 16	500	150	300	686030
KF DN 16	1000	150	300	686031
KF DN 25	500	200	400	686032
KF DN 25	1000	200	400	686033



RUBBER VACUUM TUBINGS available per meter

Size	B	C	Order-no.
DN 6 mm	12	6	686000
DN 8 mm	18	8	686001
DN 10 mm	30	10	686002
DN 15 mm	35	15	686003
DN 20 mm	45	19	686005

PTFE TUBING available per meter

PTFE tubing	DN 10/8 mm	638644
-------------	------------	--------

POWER CABLES (e.g., for Peltronic® exhaust vapor condenser and VNC 2)

Power cable KG CEE	612058	Power cable LKG CEE	637652
Power cable KG CH	676021	Power cable LKG CH	637653
Power cable KG UK	676020	Power cable LKG UK	637654
Power cable KG US	612065	Power cable LKG US	637655
Power cable KG CN	635997	Power cable LKG CN	635770
Power cable KG IL	637353	Power cable CEE, Y-shaped with 1 x KG and 1 x LKG	636273

(L)KG = (elbow) instrument coupling IEC 60320 C13